



Weblink
2479

Design
Ross Lovegrove

Concept
Aeros immediately draws the attention of the eye. An ethereal, floating object with an exquisitely perforated surface at once luminous and shielded. Aeros exudes an elegant mystique reminiscent of Byzantine decoration. Aeros is equally ultramodern, and its advanced design made technical production a major challenge.

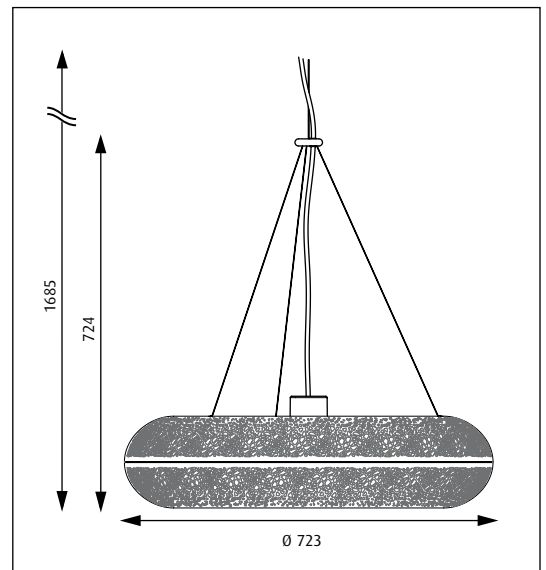
Finish
Titanium coloured, anodised.

Material
Shades: Form pressed aluminium. Canopy: Spun aluminium. Wire connector: Turned aluminium. Diffuser: Acrylic satine.

Mounting
Suspension type: Cable 1.5m, 3x0.75mm² (Cl. I) or Cable 3m, 2x0.75mm² (Cl. II) and wire. Canopy: Yes.

Weight
Max. 4,5kg.

Class
Ingress protection IP20. Electric shock protection I w/o ground, II w/ground. ⚡



Product code	Light source	Finish	Class
AEROS-P	1x35W HIT-CRI G8.5 HF 1x75W QT ax-12 Clear GY6,35 1x75W QT ax-14 Clear G9	TITANIUM COLOUR ANOD	I II

Variants:
1x75W QT ax-14 is class II. 1x35W HIT-CRI G8.5 and 1x75W QT ax-12 are class I.

Info notes:
1x75W QT ax-14 is supplied with light source. For larger pending heights a special extension is available.





Studio photo
Photo
Kaslov Studio